



E5 Teaching Microscope

A Solid Platform for Supporting Learning

Having the right tools is important in any job, but the responsibility of nurturing and guiding curious minds needs uncompromising support. The Prism Optical E5 is designed from the ground up to help teachers concentrate on teaching instead of tinkering with their tools. Low position coaxial knobs allow for comfortable and precise control, while high quality optics with optional plan achromat objectives provide wide and flat images that are ideal for image capture and for projecting on to large screens.

Clever Features

- 10× 18mm eyepieces with optional pointer or graticule,
- 4×, 10×, 40×, 100× (oil) objectives (achromat or plan achromat),
- Bright 3W LED illumination, and
- Coaxial focus and stage controls.

Standard Configuration Options

- Binocular,
- Rechargeable Binocular,
- Trinocular with achromat objectives,
- Trinocular with plan achromat objectives for wider, flatter images,



Dual axis mechanical stage



Quality optics - available with achromat or plan achromat objectives



Coaxial low position controls



Binocular with achromat objectives

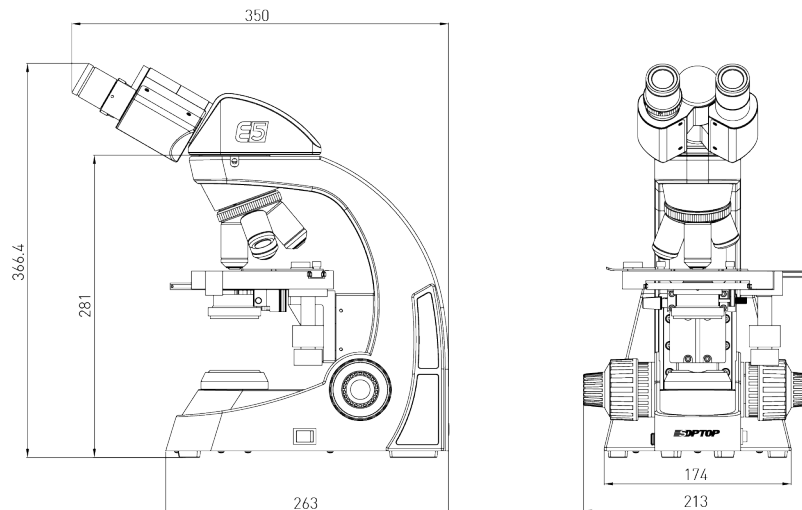


Trinocular with plan achromat objectives

E5 Teaching Microscopes

Technical Specifications

	E5-B	E5-BR	E5-T	E5-T-PL
Eyepieces	Wide field 10×/18mm with optional pointer or graticule			
Viewing Head	30° inclined binocular Right eye diopter (±5) Interpupillary Distance: 50 - 75 mm		30° inclined binocular Right eye diopter (±5) Interpupillary Distance: 50 - 75 mm Trinocular port 80:20	
Objectives	Achromatic 4× 10× 40× (spring) 100× (oil, spring)			Plan Achromatic 4× 10× 40× (spring) 100× (oil, spring)
Focus	Low position coaxial coarse and fine focus Coarse range: 25mm Fine precision: 0.002mm			
Stage	Mechanical stage with dual layer, coaxial control and slide holder Size: 132 x 140mm Movement: 50 x 76mm			
Diaphragm	Iris diaphragm			
Condenser	NA 1.25 Abbe condenser with filter holder			
Illumination	Adjustable 3W LED			
Power Source	6VDC 2A from 110-240VAC power supply			
Rechargeable	No	Yes - 4x AA NiMH	No	No
Warranty	2 year warranty on defective parts and workmanship. prismoptical.com.au/warranty for more information			



Digital Imaging

We have a range of digital camera and image analysis options to suit your needs.

- USB2 & USB3 C Mount Cameras
- Eyepiece cameras
- High Dynamic Range Cameras
- HDMI + USB + SDCARD Cameras
- Integrated Screen Options
- CameraLink Cameras
- Calibration Slides (Slide Micrometers)
- Graticules (Eyepiece Micrometers)

Support and Service

Our microscopes include a 2 year warranty on parts and workmanship. Damage from misuse and accidental damage are not included. In the unlikely event of a microscope failing, we will either repair or replace the faulty unit, at our discretion.

Prism Optical Microscopes are quality, precision optical instruments. We strongly recommend undertaking preventative maintenance at least every two years. This will protect your investment and ensure that you have a serviceable instrument for many years. Contact your reseller for more information.

Proudly Sold, Serviced, and Supported by: